

# S2755RT

## ROUGH TERRAIN SCISSOR LIFT



- Diesel-powered rough terrain scissor lift
- Large roll-out deck extension
- Automatic self-levelling stabilisers
- Easy to operate and simple to maintain
- Ideal for construction applications in constricted areas

 **snorkel**  
[www.snorkellifts.com](http://www.snorkellifts.com)

# ROUGH TERRAIN SCISSOR LIFT

# S2755RT

## DIMENSIONS S2755RT

Max. working height	10.4m
Max. platform height (A)	8.4m
Platform size	2.73m x 1.4m
Deck extension length	1.2m
Overall width (B)	1.45m
Overall length (C)	3.3m
Stowed height (D)	2.5m
Ground clearance	260mm
Guardrail height	1.1m
Toeboard height	150mm

## PERFORMANCE

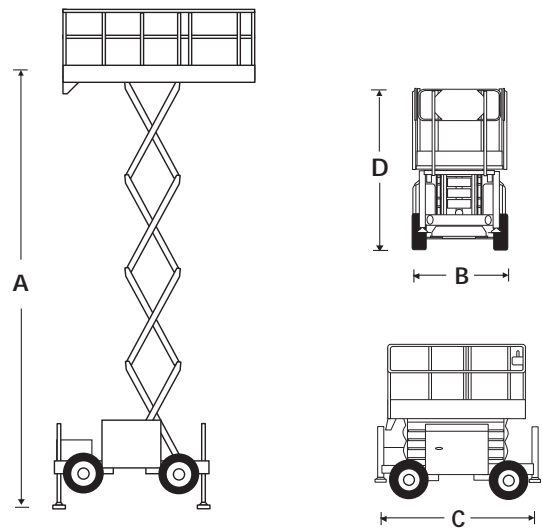
Platform capacity (SWL)	300kg
Max. wind speed	12.5m/s
Max. drive speed (stowed)	5.2km/h
Max. drive speed (elevated)	0.5km/h
Gradeability	35%
Wheelbase	2m
Inside turning radius	2.5m
Outside turning radius	4.75m
Exit/entry angle	20°
Tyres	23" x 8.9" x 12 poly filled
Drive system	4 wheel drive

## POWER

Power source	Kubota diesel engine
--------------	----------------------

## WEIGHT

Gross weight	2,580kg
--------------	---------



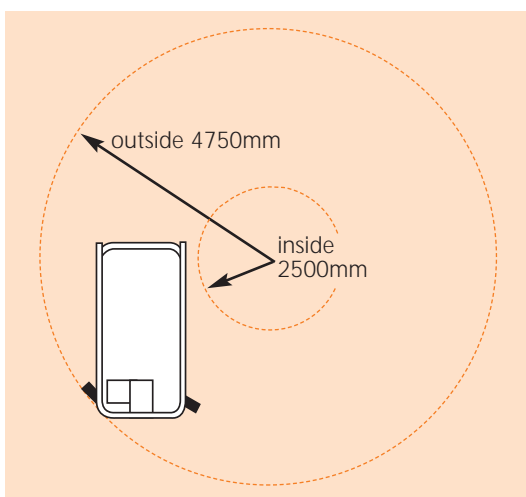
## STANDARD FEATURES

- Independent articulating rear axles
- 1.2m roll-out deck extension
- Automatic self levelling stabilisers
- Easy access maintenance modules
- Can be built with a deck for concrete formwork
- Driveable at full height
- Diesel engine
- 4 wheel drive

## OPTIONS

- 24V DC power
- Dual power – diesel/battery
- Non-marking tyres
- Lanyard attachments
- Concrete formwork deck

## TURNING RADIUS



**snorkel** [www.snorkellifts.com](http://www.snorkellifts.com)

2/26 Redfern Street,  
Wetherill Park,  
NSW 2164, Australia  
t: +61 1300 900 700  
e: sales.au@snorkellifts.com